



GOM CT

Industrial computer tomography



gom



Dimensions

H. 2130 mm

W. 2200 mm

D. 1230 mm

Weight

4800 kg

Connection

400 V / 3-phase / 16 A

GOM CT

225 kV X-ray source

3k-detector (3008 x 2512 pixels)

Voxel size: 2 μm - 80 μm

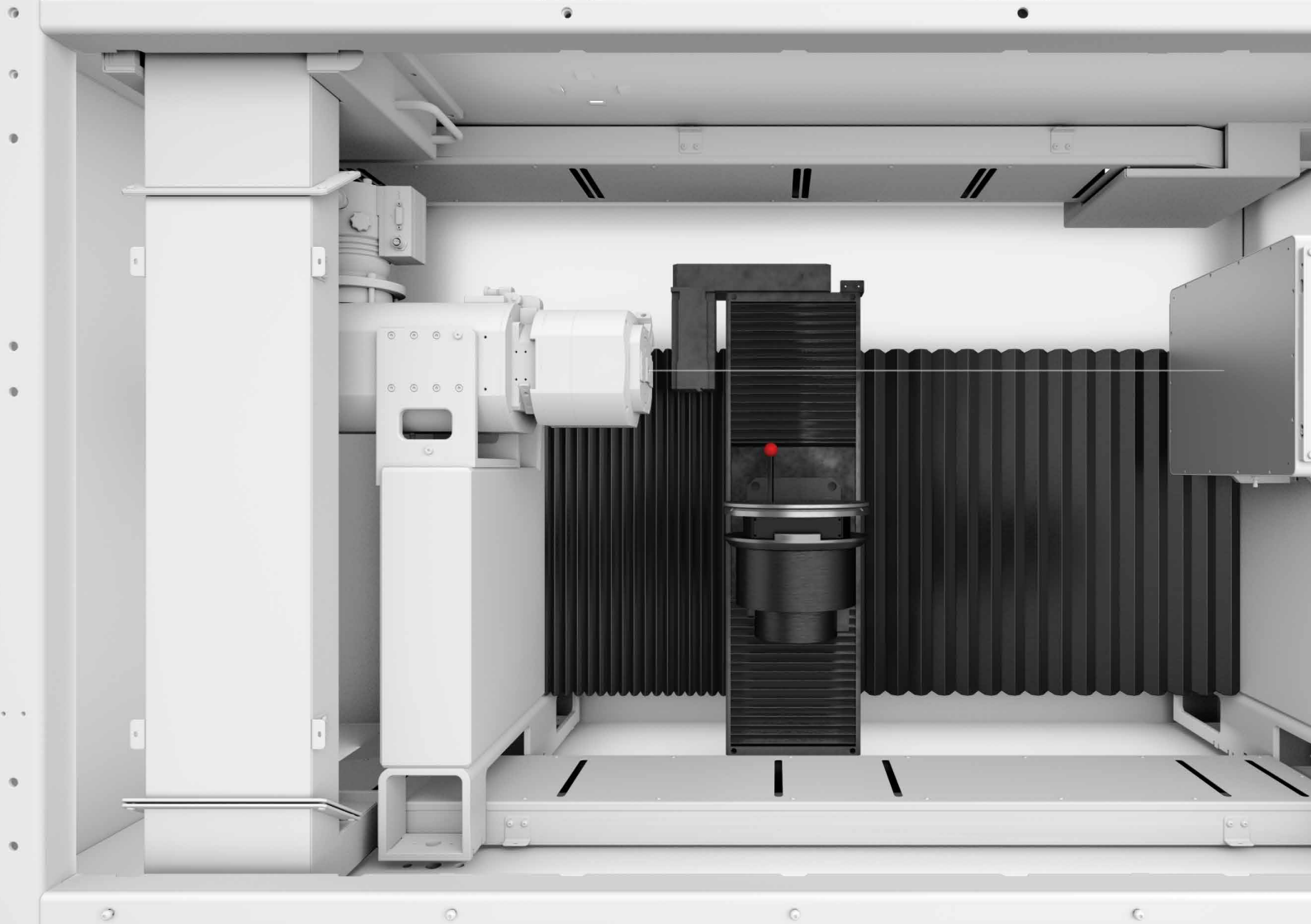
Photogrammetric calibration

5-axis kinematics

Measuring area: \varnothing 240 mm, H. 400 mm

Temperature balancing

I/O port





5-axis kinematics

For part positioning

Temperature balancing

For metrology applications

3k-detector

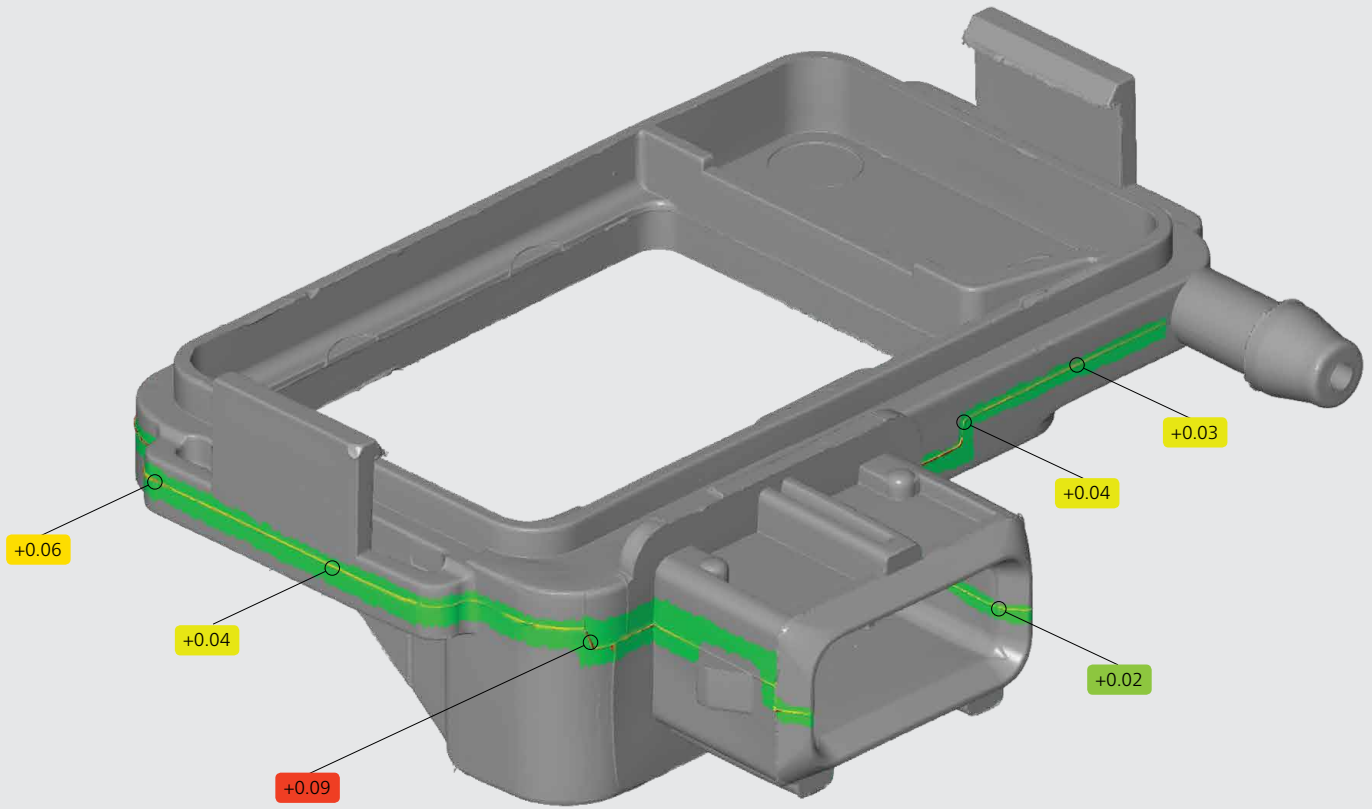
For highest resolution

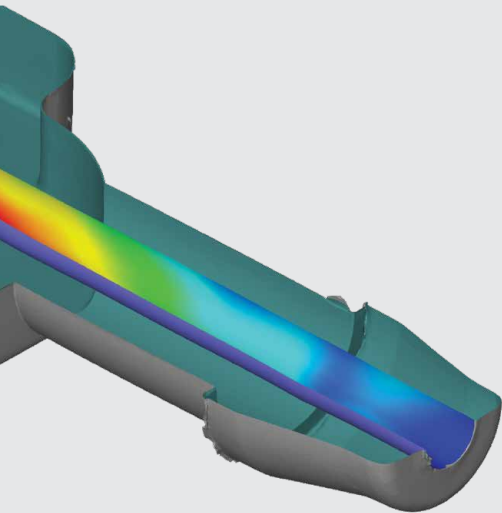
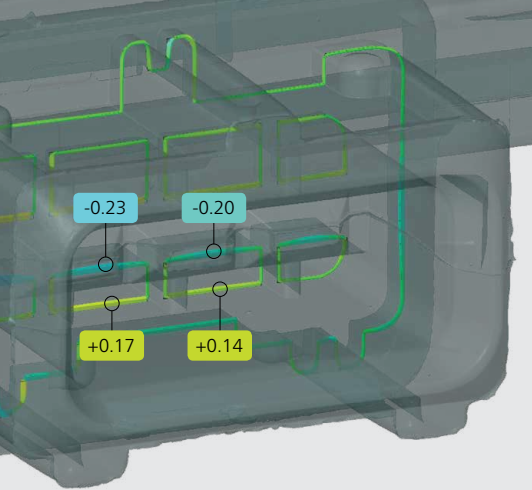


www.gom.com/ct







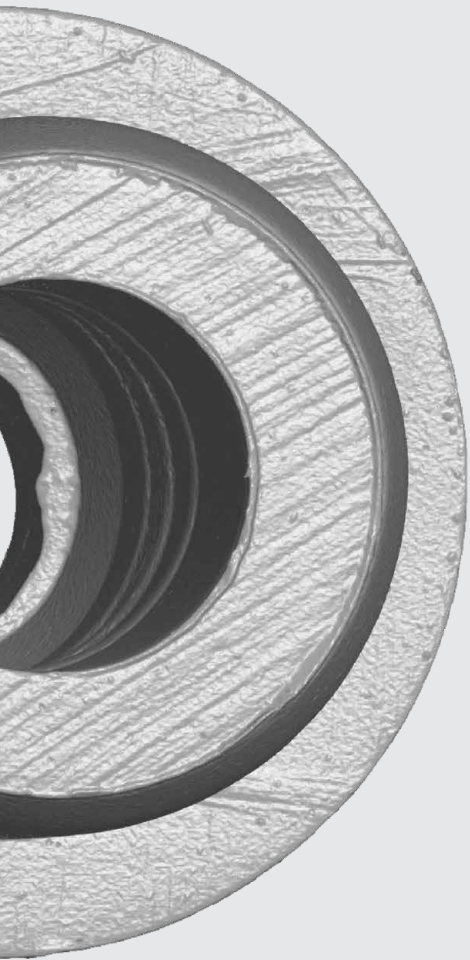


Metrology

The GOM CT enables the inspection of complex parts based on volumes. All surfaces – even internal structures – can, for example, be used for shape and dimension analyses or nominal-actual comparisons.

www.gom.com/ct-data-inspection





High-resolution CT measuring results

By combining a 3k-detector and a 225 kV X-ray source, the GOM CT provides high contrast and high resolution measurement results.

www.gom.com/ct

gom
a ZEISS company